

PYROSPOT DSRF 11N

Ratio pyrometers with fibre cable for industrial application

Overview

Digital ratio pyrometers with RS-485 interface



Features

- For temperature measurements between 700 °C and 3000 °C
- Short response times from 5 ms
- Vario optics with measurement field diameters from 0.7 mm
- RS-485 interface
- Display and keyboard
- Applicable up to 250 °C ambient temperature

Description and applications

The digital ratio pyrometers PYROSPOT DSRF 11N are specifically designed for industrial temperature measurement from 700 °C. They utilize the 2-colour system which has the advantage of measurement widely independent from the emissivity.

The solid body with fibre optics cable allows usage even under rough environmental conditions. The bright temperature display is visible even over long distance.

With a fast response time of only 5 ms (t95) these pyrometers are also suitable for fast measurement processes. The vario optics for fibre optical head realizes spot sizes from 0.7 mm diameter.

The integrated laser aiming light enables to focus the measuring object exactly. The temperature linear standard output signal of 0/4 to 20 mA allows easy implementation in existing measurement and control systems.

The device is equipped with a galvanically isolated RS-485 interface, which allows parameterizing and software evaluation even in bus systems.

All parameters are adjustable via push-buttons and display directly on the device. Also by using the convenient parameterizing and evaluation software PYROSOFT Spot the parameters can be easily adjusted to the application.

Typical application areas:

- Steel industry
- Kiln engineering
- Soldering installations
- Ceramic industry
- Metal industry



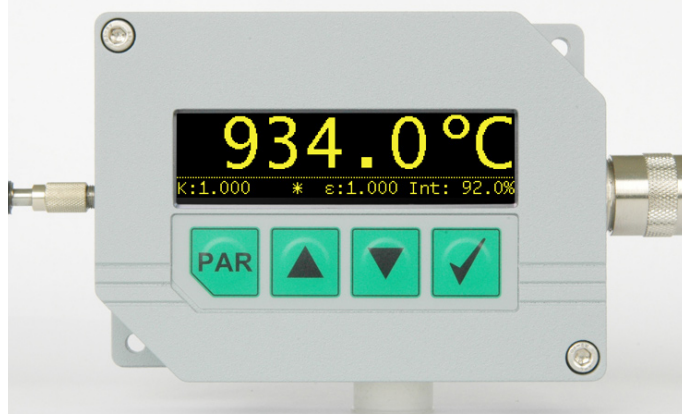
PYROSPOT DSRF 11N

Ratio pyrometers with fibre cable for industrial application

Technical data			
Type (Order number)	DSRF 11N (5112010203)	DSRF 11N (5112010204)	DSRF 11N (5112010205)
Temperature range	700 °C to 1800 °C	800 °C to 2500 °C	900 °C to 3000 °C
Sub temperature range	adjustable within temperature range, minimum span 50 °C		
Spectral range	0.7 µm to 1.1 µm		
Optics	vario optics ROH I-100, ROH II-65, ROH II-250		
Distance ratio	see table		
Measurement uncertainty ¹	0.5 % of measured value		
Reproducibility ¹	0.1 % of measured value		
NETD ^{1,2}	0.1 K ¹		
Response time (t95)	5 ms, adjustable up to 100 s		
Ratio correction K	0.800 to 1.200		
Emissivity	0.050 to 1.000		
Storage	minimum and maximum value storage		
Output	0/4 to 20 mA, switchable, temperaturlinear, max. burden: 500 Ω		
Interface	RS-485 (galvanically isolated), half duplex, max. baudrate 115 kBd, Modbus RTU		
Aiming	laser aiming light		
Software	PYROSOFT Spot for Windows®, optional: PYROSOFT Spot Pro		
Parameters	ratio correction, emissivity, response time, temperature unit °C or °F, storage, sub temperature range, baudrate, address		
User controls	display and keyboard for parameter setting		
Power supply	24 V DC ± 25 %		
Power consumption	max. 1.5 W		
Operating temperature	0 °C to 45 °C (electronics), 0 °C to 250 °C (optical head) 0 °C to 250 °C (fibre cable), 0 °C to 150 °C (fibre cable with 90° curve)		
Storage temperature	-20 °C to 70 °C		
Weight	appr. 600 g (without fibre cable and optical head)		
Dimensions	appr. 110 mm × 80 mm × 40 mm		
Housing	cast housing with plug connector, display and keyboard		
Safety class	IP 65 (DIN 40 050)		
CE symbol	according to EU regulations (EN 50 011)		
Scope of delivery	PYROSPOT DSRF 11N, manual, inspection sheet, PYROSOFT Spot for Windows® (without connection cable, fibre cable and optical head, please order separately)		

¹ T₀ = 23 °C, ε = 1, t95 = 1 s. ² Noise equivalent temperature difference.

Display of current temperature and ratio correction K



Optical head ROH II (left side) and optical head ROH I (right side)



PYROSPOT DSRF 11N

Ratio pyrometers with fibre cable for industrial application

Optics

ROH I-100 (Order number 3310A50011)

Measuring distance a [mm]	0	100	165	225	300	500	700	1000
Temperature range	Measuring field diameter M [mm]							
DSRF 11N (700 °C to 1800 °C)	6.0	0.9	1.4	2.0	2.7	4.5	6.5	9.0
DSRF 11N (800 °C to 2500 °C)	6.0	0.9	1.4	2.0	2.7	4.5	6.5	9.0
DSRF 11N (900 °C to 3000 °C)	6.0	0.9	1.4	2.0	2.7	4.5	6.5	9.0
Aperture D [mm]	6.0							

ROH II-65 (Order number 3310A50021)

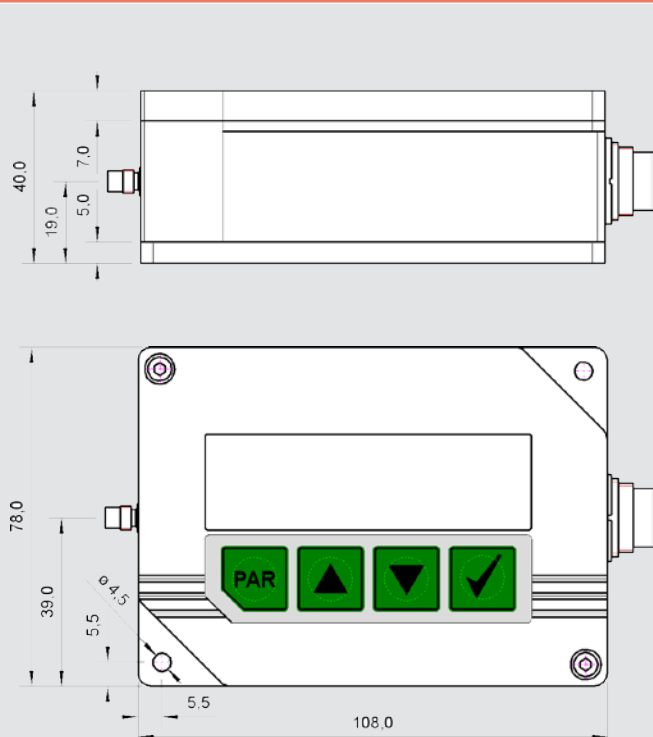
Measuring distance a [mm]	0	65	85	110	150	200	240	300
Temperature range	Measuring field diameter M [mm]							
DSRF 11N (700 °C to 1800 °C)	9.0	1.3	1.7	2.1	2.8	3.6	4.2	5.0
DSRF 11N (800 °C to 2500 °C)	9.0	0.7	0.9	1.1	1.4	1.8	2.1	2.5
DSRF 11N (900 °C to 3000 °C)	9.0	0.7	0.9	1.1	1.4	1.8	2.1	2.5
Aperture D [mm]	9.0							

ROH II-250 (Order number 3310A50026)

Measuring distance a [mm]	0	250	400	600	800	1000	2000	2500
Temperature range	Measuring field diameter M [mm]							
DSRF 11N (700 °C to 1800 °C)	9.0	3.0	5.0	7.2	9.2	12.0	24.0	31.0
DSRF 11N (800 °C to 2500 °C)	9.0	1.7	2.7	4.4	5.5	6.8	13.0	17.0
DSRF 11N (900 °C to 3000 °C)	9.0	1.7	2.7	4.4	5.5	6.8	13.0	17.0
Aperture D [mm]	9.0							

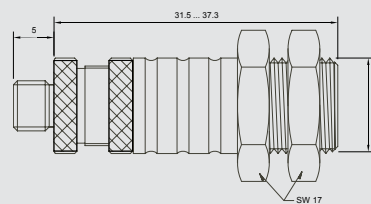
Dimensional drawings

Dimensional drawing pyrometer

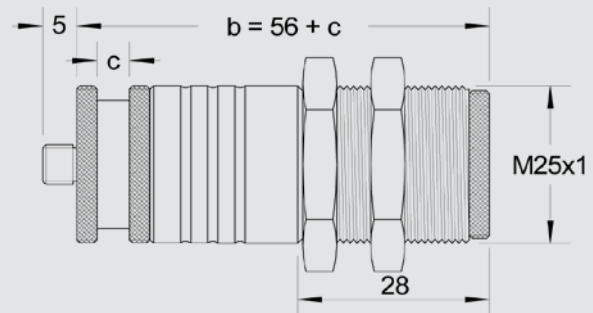


Dimensional drawings optical heads ROH

ROH I

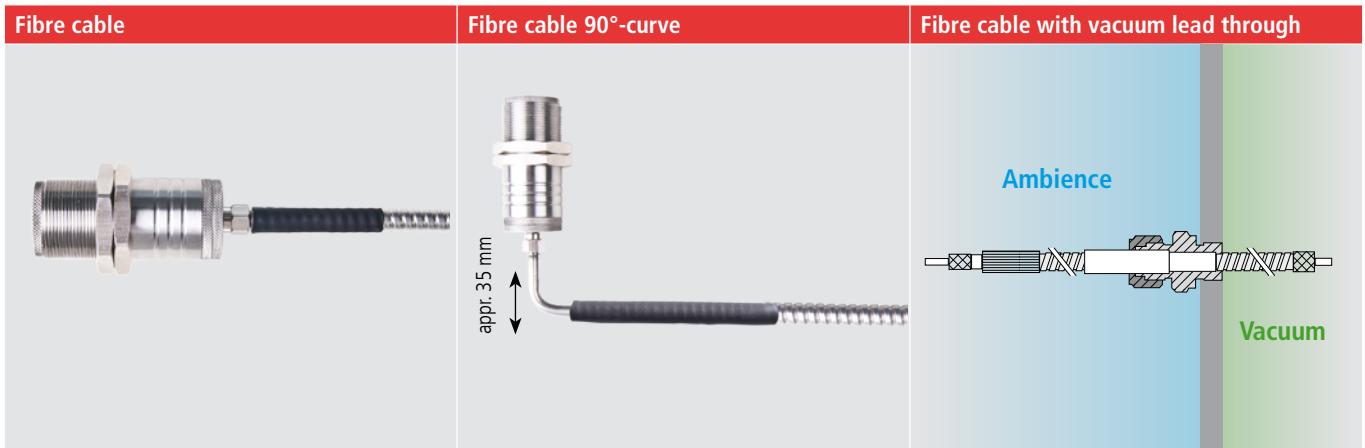


ROH II



PYROSPOT DSRF 11N

Ratio pyrometers with fibre cable for industrial application



Fibre cables, stainless steel \varnothing 200 μ m – Order numbers

Length	1.5 m	2.0 m	2.5 m	5.0 m	7.5 m	10 m	15 m
straight	3310A42001	3310A42002	3310A42003	3310A42004	3310A42005	3310A42006	3310A42007
90°-curve	3310A42011	3310A42012	3310A42013	3310A42014	3310A42015	3310A42016	3310A42017

Further lengths available on request.

Electrical accessories¹ - Order numbers

Electrical accessories ¹ - Order numbers			Mechanical and optical accessories ¹	
Connecting cable 12 pin	straight plug	angulated plug		
Length 2 m	3310A11111	3310A11131	Mounting angle fixed for optical head ROH I	3310A21510
Length 5 m	3310A11112	3310A11132	Mounting angle fixed for optical head ROH II	3310A21522
Length 10 m	3310A11113	3310A11133	Mounting angle adjustable for optical head ROH II	3310A21520
Length 15 m	3310A11114	3310A11134	Air purge unit for ROH II	3310A22520
Interface module RS-485 to USB	3310A14020		Sighting tube 100 mm	3310A22530
Interface module RS-485 to ProfiBus DP	3310A14021		Sighting tube 300 mm	3310A22535
Power supply PSU 15 (24 V DC, 1 A)	3310A12010		Mirror for ROH II, stainless steel, 90°	3310A31020

¹ Selected accessories.

Selected accessories - pictures

Mounting angle, fixed	Mounting angle, adjustable, for ROH II	Air purge unit for ROH II
Order number:: 3310A21522 	Order number:: 3310A21520 	Order number:: 3310A22520 
Mirror 90° for ROH II	Power supply	Sighting tube (100 mm)
Order number:: 3310A31020 	Order number:: 3310A12010 	Order number: 3310A22030 

Technical details are subject to change. March 2013.



We are certified for many years according to ISO 9001

Phone: +49 351 871 7228
 Fax: +49 351 871 7230
 E-Mail: info@dias-infrared.de
 Internet: www.dias-infrared.com

DIAS Infrared GmbH
 Gostritzer Straße 65
 01217 Dresden
 Deutschland